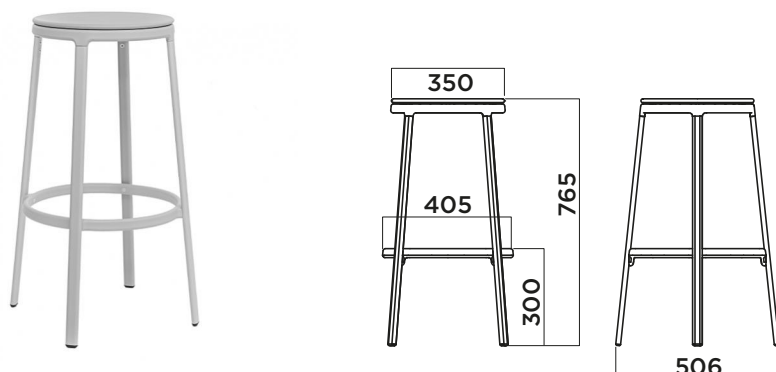


ROUND&ROUND bar stool plastic seat - Fixed

5093-BSTP

Design Oleg Pugachev



FRAME

TELAIO
BASTIDOR

Legs in oval tube 30x15 mm, thickness 2 mm, accordingly with UNI EN 10305-3 rule.

Gambe in tubo ovale 30x15 mm, spessore 2mm, prodotte secondo norma UNI EN 10305-3

Patas de tubo ovalado 30x15 mm, 2 mm de espesor, conforme a la norma UNI EN 10305-3.



11



7035F



9004F



20



503F

SEAT

SEDUTA
ASIENTO

Post consumer industrial Polypropylene + Glass Fiber

Plastica post consumo industriale + Fibra di vetro

Plástico industrial posconsumo + Fibra de vidrio



IS011



IS001



IS503

Polypropylene + Glass Fiber

Polipropilene+Fibra di Vetro

Polipropileno + Fibra de vidrio



P421C



S020

FRAME FINISHING

FINITURA TELAIO
ACABADO DEL BASTIDOR

Painted structure with epoxy-polyester powder with average thickness of 50 μ.

Verniciatura a polveri epossi-poliestere spessore medio di 50 μ.

Estructura con recubrimiento en polvo epoxi-poliéster con 50 μ de espesor medio.

FOOTREST

POGGIAPIEDI
REPOSAPIÉS

Polypropylene + Glass fiber + Post Consumer Industrial Plastic material.

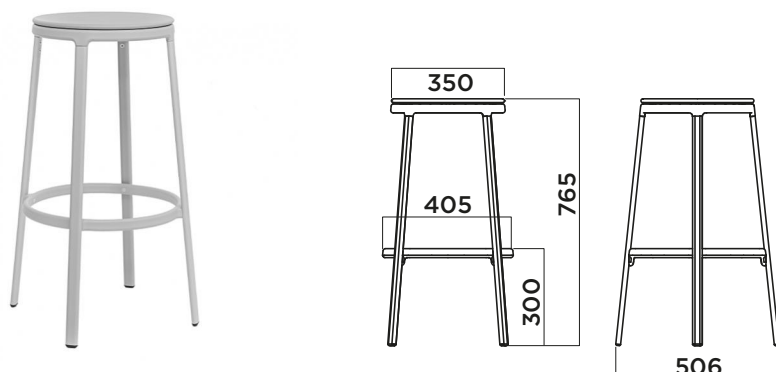
Polipropilene + Fibra di vetro + Plastica post consumo industriale

Polipropileno + Fibra de vidrio y plástico industrial posconsumo

ROUND&ROUND bar stool plastic seat - Swivel

5093-BSSP

Design Oleg Pugachev



FRAME

TELAIO
BASTIDOR

Legs in oval tube 30x15 mm, thickness 2 mm, accordingly with UNI EN 10305-3 rule.

Gambe in tubo ovale 30x15 mm, spessore 2mm, prodotte secondo norma UNI EN 10305-3

Patas de tubo ovalado 30x15 mm, 2 mm de espesor, conforme a la norma UNI EN 10305-3.



11



7035F



9004F



20



503F

SEAT

SEDUTA
ASIENTO

Post consumer industrial Polypropylene + Glass Fiber

Plastica post consumo industriale + Fibra di vetro

Plástico industrial posconsumo + Fibra de vidrio



IS011



IS001



IS503

Polypropylene + Glass Fiber

Polipropilene+Fibra di Vetro

Polipropileno + Fibra de vidrio



P421C



S020

FRAME FINISHING

FINITURA TELAIO
ACABADO DEL BASTIDOR

Painted structure with epoxy-polyester powder with average thickness of 50 μ.

Verniciatura a polveri epossi-poliestere spessore medio di 50 μ.

Estructura con recubrimiento en polvo epoxi-poliéster con 50 μ de espesor medio.

FOOTREST

POGGIAPIEDI
REPOSAPIÉS

Polypropylene + Glass fiber + Post Consumer Industrial Plastic material.

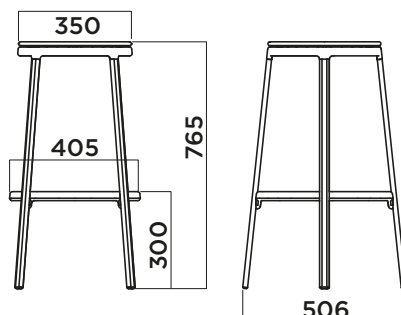
Polipropilene + Fibra di vetro + Plastica post consumo industriale

Polipropileno + Fibra de vidrio y plástico industrial posconsumo

ROUND&ROUND bar stool wooden seat - Fixed

5093-BSTW

Design Oleg Pugachev



FRAME

TELAIO
BASTIDOR

Legs in oval tube 30x15 mm, thickness 2 mm, accordingly with UNI EN 10305-3 rule.

Gambe in tubo ovale 30x15 mm, spessore 2mm, prodotte secondo norma UNI EN 10305-3

Patas de tubo ovalado 30x15 mm, 2 mm de espesor, conforme a la norma UNI EN 10305-3.



11



7035F



9004F



20



503F

SEAT

SEDUTA
ASIENTO

Wood seat panel in plywood ash, 13,5 mm thickness.

Pannello seduta in legno di frassino multistrato, spessore 13,5 mm.

Panel de asiento de contrachapado de haya, 13,5 mm de espesor.



FRVAN



FRTA28



FRTA04

FRAME FINISHING

FINITURA TELAIO
ACABADO DEL BASTIDOR

Painted structure with epoxy-polyester powder with average thickness of 50 μ.

Verniciatura a polveri eposi-poliestere spessore medio di 50 μ.

Estructura con recubrimiento en polvo epoxi-poliéster con 50 μ de espesor medio.

FOOTREST

POGGIAPIEDI
REPOSAPIÉS

Polypropylene + Glass fiber + Post Consumer Industrial Plastic material.

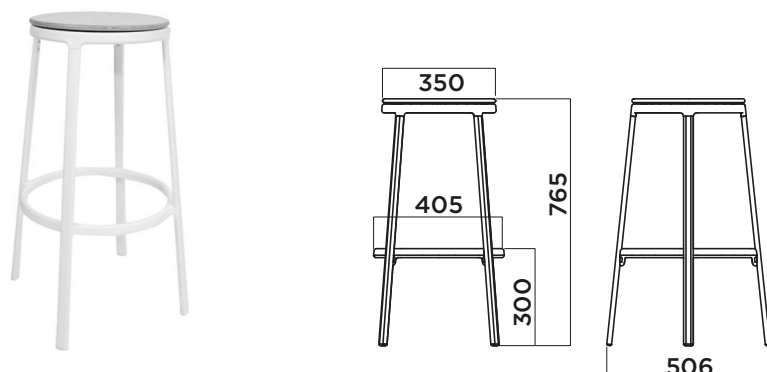
Polipropilene + Fibra di vetro + Plastica post consumo industriale

Polipropileno + Fibra de vidrio y plástico industrial posconsumo

ROUND&ROUND bar stool wooden seat - Swivel

5093-BSSW

Design Oleg Pugachev



FRAME

TELAIO
BASTIDOR

Legs in oval tube 30x15 mm, thickness 2 mm, accordingly with UNI EN 10305-3 rule.

Gambe in tubo ovale 30x15 mm, spessore 2mm, prodotte secondo norma UNI EN 10305-3

Patas de tubo ovalado 30x15 mm, 2 mm de espesor, conforme a la norma UNI EN 10305-3.



11



7035F



9004F



20



503F

SEAT

SEDUTA
ASIENTO

Wood seat panel in plywood ash, 13,5 mm thickness.

Pannello seduta in legno di frassino multistrato, spessore 13,5 mm.

Panel de asiento de contrachapado de haya, 13,5 mm de espesor.



FRVAN



FRTA28



FRTA04

FRAME FINISHING

FINITURA TELAIO
ACABADO DEL BASTIDOR

Painted structure with epoxy-polyester powder with average thickness of 50 μ.

Verniciatura a polveri eposi-poliestere spessore medio di 50 μ.

Estructura con recubrimiento en polvo epoxi-poliéster con 50 μ de espesor medio.

FOOTREST

POGGIAPIEDI
REPOSAPIÉS

Polypropylene + Glass fiber + Post Consumer Industrial Plastic material.

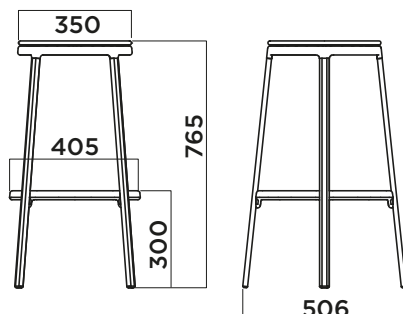
Polipropilene + Fibra di vetro + Plastica post consumo industriale

Polipropileno + Fibra de vidrio y plástico industrial posconsumo

ROUND&ROUND bar stool upholstered seat - Fixed

5093-BSTT

Design Oleg Pugachev



FRAME

TELAIO
BASTIDOR

Legs in oval tube 30x15 mm, thickness 2 mm, accordingly with UNI EN 10305-3 rule.

Gambe in tubo ovale 30x15 mm, spessore 2mm, prodotte secondo norma UNI EN 10305-3

Patas de tubo ovalado 30x15 mm, 2 mm de espesor, conforme a la norma UNI EN 10305-3.



11



7035F



9004F



20



503F

UPHOLSTERY

TAPPEZZERIA
TAPIZADOS

Upholstered seat panel

Pannello tappezzato

Panel de asiento tapizado

- A Flash, Byte
- B Eco Leather, Miami *
- C Patina, Step, Step Melange, Reflect ♻️
- D Revive ♻️
- E Field, Oceanic ♻️, Yoredale
- F Canvas2, Glow
- G B-chew trio *, Divina3, Divina Melange, Fiord, Harald, Planum, Patio
- H Full Leather

FRAME FINISHING

FINITURA TELAIO
ACABADO DEL BASTIDOR

Painted structure with epoxy-polyester powder with average thickness of 50 μ.

Verniciatura a polveri epossipoliesteri spessore medio di 50 μ.

Estructura con recubrimiento en polvo epoxi-poliéster con 50 μ de espesor medio.

FOOTREST

POGGIAPIEDI
REPOSAPIÉS

Polypropylene + Glass fiber + Post Consumer Industrial Plastic material.

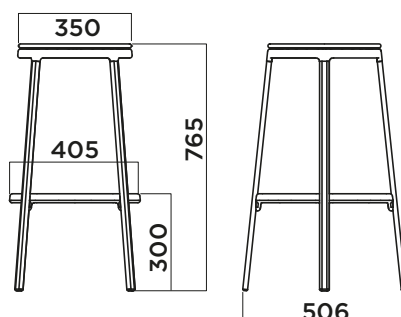
Polipropilene + Fibra di vetro + Plastica post consumo industriale

Polipropileno + Fibra de vidrio y plástico industrial posconsumo

ROUND&ROUND bar stool upholstered seat - Swivel

5093-BSST

Design Oleg Pugachev



FRAME

TELAIO
BASTIDOR

Legs in oval tube 30x15 mm, thickness 2 mm, accordingly with UNI EN 10305-3 rule.

Gambe in tubo ovale 30x15 mm, spessore 2mm, prodotte secondo norma UNI EN 10305-3

Patas de tubo ovalado 30x15 mm, 2 mm de espesor, conforme a la norma UNI EN 10305-3.



11



7035F



9004F



20



503F

UPHOLSTERY

TAPPEZZERIA
TAPIZADOS

Upholstered seat panel

Pannello tappezzato

Panel de asiento tapizado

- A Flash, Byte
- B Eco Leather, Miami *
- C Patina, Step, Step Melange, Reflect ♻️
- D Revive ♻️
- E Field, Oceanic ♻️, Yoredale
- F Canvas2, Glow
- G B-chew trio *, Divina3, Divina Melange, Fiord, Harald, Planum, Patio
- H Full Leather

FRAME FINISHING

FINITURA TELAIO
ACABADO DEL BASTIDOR

Painted structure with epoxy-polyester powder with average thickness of 50 μ.

Verniciatura a polveri epossipoliesteri spessore medio di 50 μ.

Estructura con recubrimiento en polvo epoxi-poliéster con 50 μ de espesor medio.

FOOTREST

POGGIAPIEDI
REPOSAPIÉS

Polypropylene + Glass fiber + Post Consumer Industrial Plastic material.

Polipropilene + Fibra di vetro + Plastica post consumo industriale

Polipropileno + Fibra de vidrio y plástico industrial posconsumo