

SPECIFICATION

Range: **BOTANICA**
Design: **Mario Trimarchi**

“Snowsound Technology” sound-absorbing element fixed to the wall / ceiling

Panel description:

Both faces with convex section 36 mm thick, consisting of an internal padding in variable density polyester fiber. The density decreases moving towards the heart of the panel, which is covered on both sides with Trevira CS® polyester fabric, solidly applied to the padding. The panel is double sided, with same characteristics on both sides. It is characterized by the rigid edge obtained by the manufacturing process itself, without any supporting and/or stiffening frame. The panel is equipped with a series of punched holes for anchoring to the appropriate supports.

The panel has an **Italian Class1** fire reaction and **Euroclass B-s2, d0**.

The panel is **Greenguard Gold** certified, which validates its low VOC emission and its contribution to the quality of the indoor environment.

The panel is **100% recyclable** and has no detectable formaldehyde content according to UNI EN 717-2. It does not contain felts or other organic materials that are hardly recyclable.

The panel has been tested in reverberation chamber according to UNI EN ISO 354 and obtained **“Acoustic Absorption Class A”**, in accordance with UNI EN ISO 11654.

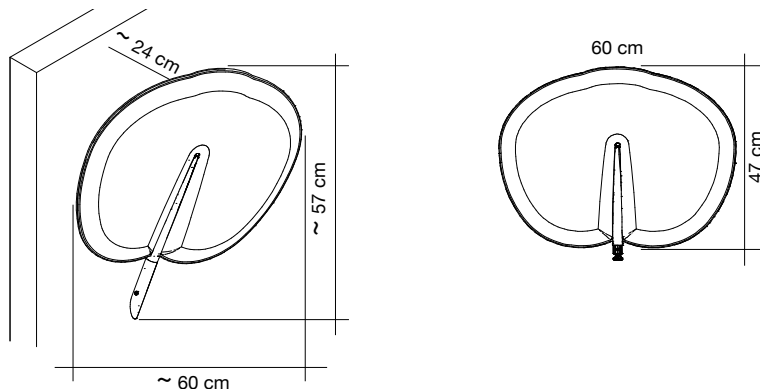
Support Description:

The support is composed of two parts in polished and chromed zama casting. The two elements are positioned on the two sides of the panel respectively. They align with each other thanks to special hooks and ribs, passing through the holes of the panel itself. The two sides are tightened with a screw, locking the panel inside them.

Fixing description:

Fastening element consisting of two parts; a solid milled aluminium core, with cavity for the passage of the anchoring screws to the wall/ceiling; a cylindrical casing, made of chromed steel, laser cut and equipped with two grains to lock both the sound-absorbing element (panel + support) and the carter (to the internal core).

Dimensions:



The products described in this data sheet are **CE marked** according to the harmonized product standard EN 13964 for the intended use as a drop ceiling.



Available colours:

0012



White

7004



Light green

8007



Dark grey

